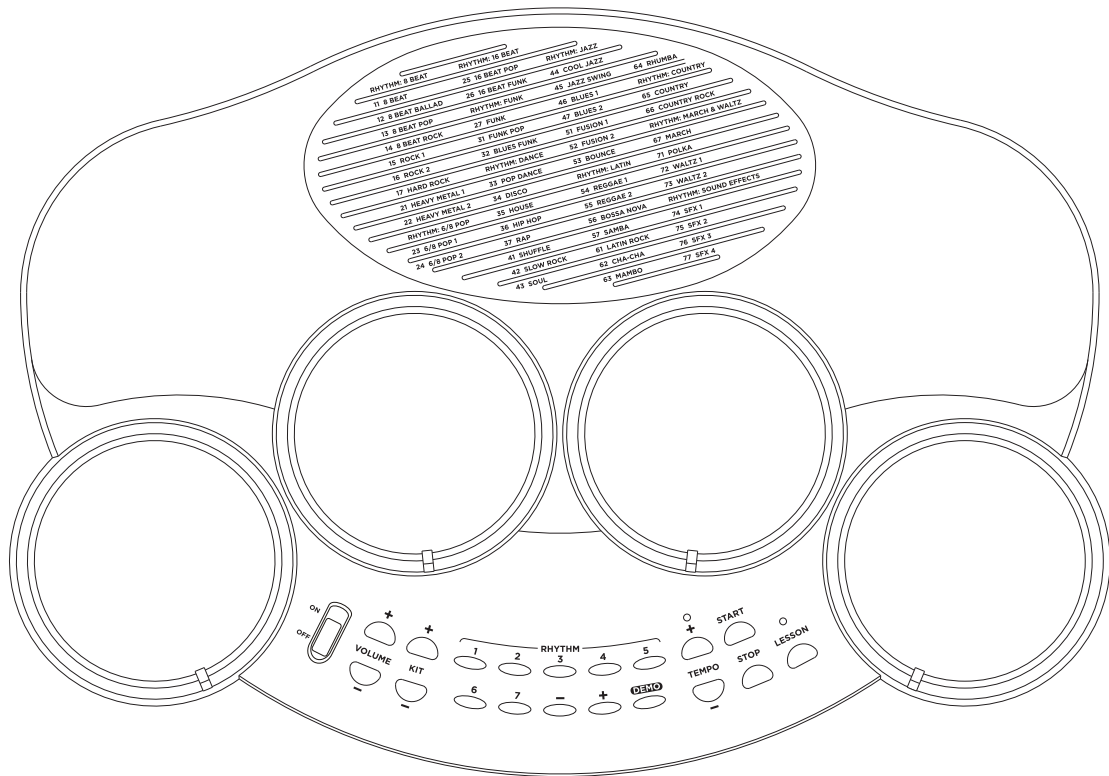


Digital Drum

Owner's Manual



INFORMATION FOR YOUR SAFETY!

THE FCC REGULATION WARNING (for USA)

This equipment has been tested and found to comply with the limits for a Class B digital device, pursuant to Part 15 of the FCC Rules.

These limits are designed to provide reasonable protection against harmful interference in a residential installation. This equipment generates, uses, and can radiate radio frequency energy and, if not installed and used in accordance with the instructions, may cause harmful interference to radio communications. However, there is no guarantee that interference will not occur in a particular installation.

If this equipment does cause harmful interference to radio or television reception, which can be determined by turning the equipment off and on, the user is encouraged to try to correct the interference by one or more of the following measures:

- Reorient or relocate the receiving antenna.
- Increase the separation between the equipment and receiver.
- Connect the equipment into an outlet on a circuit different from that to which the receiver is connected.
- Consult the dealer or an experienced radio/TV technician for help.

Unauthorized changes or modification to this system can void the user's authority to operate this equipment.

CAUTION

The normal function of the product may be disturbed by Strong Electro Magnetic Interference. If so, simply reset the product to resume normal operation by following the owner's manual. In case the function could not resume, please use the product in other location.

PRECAUTIONS

PLEASE READ CAREFULLY BEFORE PROCEEDING

Please keep this manual in a safe place for future reference.

Power Supply

Please connect the designated AC adaptor to an AC outlet of the correct voltage.

Do not connect it to an AC outlet of voltage other than that for which your instrument is intended.

Unplug the AC power adaptor when not using the instrument, or during electrical storms.

Connections

Before connecting the instrument to other devices, turn off the power to all units. This will help prevent malfunction and / or damage to other devices.

Location

Do not expose the instrument to the following conditions to avoid deformation, discoloration, or more serious damage:

- Direct sunlight
- Extreme temperature or humidity
- Excessive dusty or dirty location
- Strong vibrations or shocks
- Close to magnetic fields

Interference with other electrical devices

Radios and televisions placed nearby may experience reception interference. Operate this unit at a suitable distance from radios and televisions.

Cleaning

Clean only with a soft, dry cloth.

Do not use paint thinners, solvents, cleaning fluids, or chemical-impregnated wiping cloths.

Handling

Do not apply excessive force to the switches or controls.

Do not let paper, metallic, or other objects into the instrument. If this happens, unplug the AC adaptor from the wall outlet. Then have the instrument inspected by qualified service personnel.

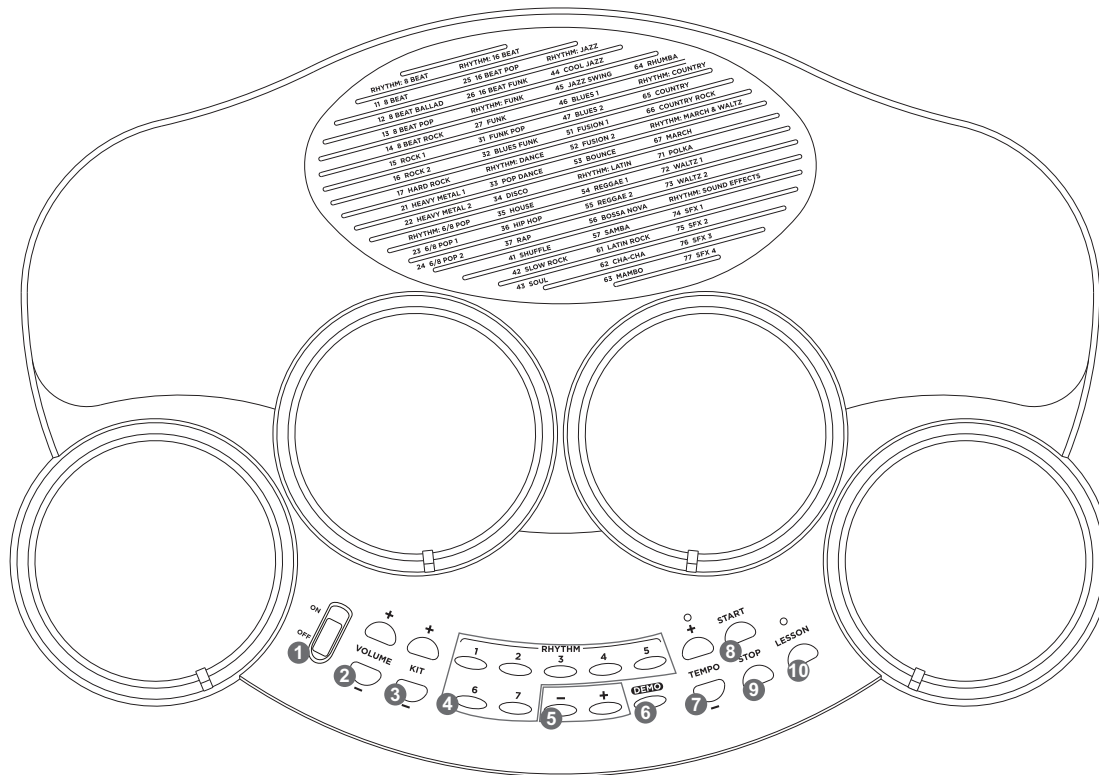
Disconnect all cables before moving the instrument.

Contents

Panel Description	
Front Panel.....	4
Rear Panel.....	4
Setup	
Power Supply.....	5
Connections	
Using Headphones.....	5
Playing the Demo Song	6
Playing a Rhythm	7
Playing the pads	8
Learning a Lesson	8
Specifications	9
Appendices	
Percussion kit List.....	10
Rhythm List.....	11
Demo List.....	11

Panel Description

Front Panel



1. POWER ON/OFF

Start or stop playing.

2. VOLUME +/-

Increase/decrease volume.

3. KIT +/-

Increase/decrease kit number.

4. 1~7

Number buttons [1~7] for rhythm selection.

5. [+/-]

Increase/decrease rhythm number.

6. DEMO

Start or stop playing the demo song.

7. TEMPO +/-

Increase/decrease tempo value.

8. START

Start rhythm play.

9. STOP

Stop rhythm play.

10. LESSON

Go into lesson mode.

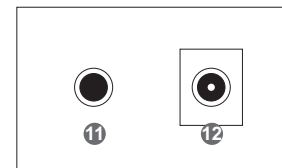
Rear Panel

11. Headphone jack

This stereo jack is used to connect headphone.

12. DC jack

Connect the included DC 9V power adaptor.

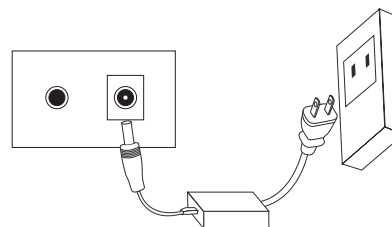


Power Supply

Your Digital Drum will run either from batteries or power adaptor. Follow the instructions below according to the power source you intend to use.

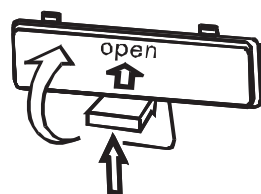
Using an AC-Adaptor

Connect the power adaptor to the DC IN jack located on the rear panel of the unit, and plug the AC power adaptor into an AC power outlet.



Using Batteries

1. Open the battery compartment cover on the underside of the unit.
2. Insert six "C" size, R-14, SUM-2 or equivalent batteries. When inserting the batteries, be careful to follow the polarity marking in the illustration.
3. Close the battery compartment securely.

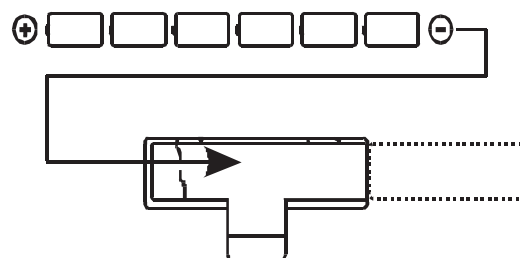


Note:

Power will be automatically drawn from the AC adaptor if an optional AC adaptor is connected while batteries are installed in the instrument.

Caution:

It is recommended that you replace worn batteries as soon as possible. When battery voltage drops, the display will dim and/or the sound will become distorted. When this occurs, replace the batteries with a complete set of six new batteries of the same type.



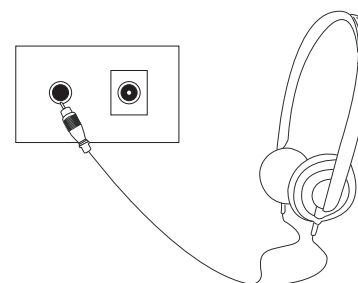
NEVER mix old and new batteries, different types of batteries (alkaline, magnesium, etc), batteries by different makers, or batteries from the same maker but of different types. Misuse may cause the instrument to become hot, result in fire, or battery leakage.

Also, to prevent damage due to battery leakage, remove all the batteries from the instrument when it is not to be used for an extended period of time. Batteries left in an unused instrument will also lose their power overtime.

Connections

Using Headphones

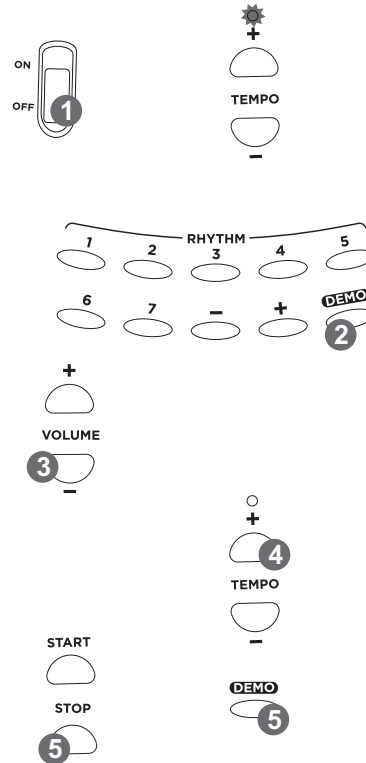
An optional set of stereo headphones can be connected to the Headphones jack located on the rear panel. When a pair of headphones is connected to the jack, the internal speakers of the unit will switch off automatically, perfect for private practice or late night playing. If you want to use an external sound system, the headphone jack can also be used to connect the digital drum to a stereo system or mixing console.



Playing the Demo Song

Your Digital Drum comes with a demo song for showing you the possibilities of drum. To playback the demo song, follow instructions below :

- 1. Turn on the power**
Turn the [POWER] switch on. Then indicator [Tempo] lights on.
- 2. Start the DEMO song**
Press [DEMO] button, then the demo song starts playing immediately.
Meanwhile indicators of drum pads flash following demo playing , and the [Tempo] indicator flashes once per measure.
- 3. Volume adjusting**
Volume of the demo song can be adjusted by pressing buttons [VOLUME+] and [VOLUME-]. The default volume value is 5. It can be adjusted from 0 to 8. Volume increases or decreases 1 level when [VOLUME+] or [VOLUME-] pressed once.
- 4. Tempo adjusting**
Tempo of the demo song can be adjusted by pressing buttons [TEMPO+] and [TEMPO-]. It can be adjusted from 40BPM to 240BPM. When [TEMPO+] and [TEMPO-] pressed at the same time, the demo song would play at its default tempo.
- 5. Stop the DEMO song**
Press [DEMO] or [STOP] button to stop the DEMO song.



Playing a Rhythm

Your Digital Drum features 49 different rhythms that can be used to provide accompaniment. Select one of the rhythms and listen to it.

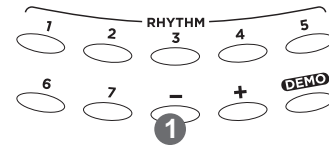
1. Selecting a Rhythm

There are two methods for selecting a rhythm.

Method1: Press buttons [+] and [-] to select rhythms. In this method, rhythms are selected in circle.

Method2: Use the Number buttons to type the two-digit code of the Rhythm within 2 seconds, then the corresponding rhythm will be selected. On upper front panel, each song's number and name can be found.

The Rhythm's default Kit will return once you select a different Rhythm.



2. Press [START] button

The selected rhythm starts playing. Indicators of drum pads flash following rhythm playing. The [Tempo] indicator flashes once per measure.



3. Volume adjusting

Volume of rhythm can be adjusted by pressing buttons [VOLUME+] and [VOLUME-]. Volume can be adjusted from 0 to 8.



4. Tempo adjusting

Tempo of the rhythm can be adjusted by pressing buttons [TEMPO+] and [TEMPO-]. Tempo can be adjusted from 40BPM to 240BPM.

If [TEMPO+] and [TEMPO-] pressed at the same time, the rhythm would play at its default tempo.



5. Stop rhythm playing

Press [STOP] button to stop rhythm playing.



Playing the Pads

This Digital Drum has 26 kits.

- 1. Selecting a kit**
Press buttons [KIT+] or [KIT-] to increase or decrease kit number in 1~26 range. A warning voice sounds when kit number reaches bottom number (1) or top number (26).
- 2. Volume adjusting**
Volume of pads can be adjusted by pressing buttons [VOLUME+] and [VOLUME-]. It can be adjusted from 0 to 8.

Then you can play pads with selected kit freely.

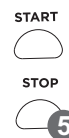
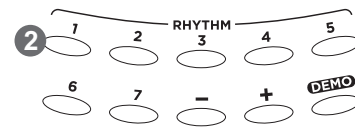


Learning a Lesson

This Digital Drum's lesson function let the player learn and play a rhythm by following drum indicators flashing.

Starting a New Lesson

- 1. Press the [LESSON] button**
The LESSON indicator light on.
 - 2. Selecting a rhythm**
Select a rhythm you want to learn. Its corresponding kit is also selected automatically.
- Note:**
Refer to page 7 for rhythm selecting method.
- 3. Selecting a kit**
Press buttons [KIT+] or [KIT-] to select a kit you want to play with. You can also make no change and use a rhythm's default kit.
 - 4. Start learning**
Press [START] button.
Rhythm's drum part is muted, but the indication lights of each pad start flashing.
You can strike the pads with indication lights.
 - 5. Stop learning**
Press [STOP] button to stop learning.
Press [LESSON] button to exit LESSON mode.



Specifications

Pads

4 Touch Sensitive Drum Pads with Indication Lights

Drum Kits

26 drum kits

Rhythms

49

Demo Song

1

Panel Controls

POWER ON/OFF, VOLUME[+/-], KIT[+/-], [+/-], number button [1~7], [DEMO], TEMPO[+/-], [START], [STOP], [LESSON]

Connectors

HEADPHONES
9V (AC Adaptor)

Power Source

Six "C" size, SUM-2, R-14, or equivalent batteries

Dimensions

398(L)X278(W)X95.6(H)MM

Weight

1400g

* All specifications and appearances are subject to change without notice.

Percussion Kit List

No	Name
01	Acoustic Kit 1
02	Acoustic Kit 2
03	Standard Kit 1
04	Standard Kit 2
05	Room Kit 1
06	Room Kit 2
07	Rock Kit 1
08	Analog Kit 1
09	Electronic Kit 1
10	Jazz Kit
11	Latin Kit
12	SFX Kit 1
13	SFX Kit 2
14	SFX Kit 3
15	SFX Kit 4
16	Acoustic Kit 3
17	Bass Drum & Stick Kit
18	Bass Drum & Snare Kit 1
19	Analog Kit 2
20	Bass Drum & Snare Kit 2
21	Analog Kit 3
22	Rock Kit 2
23	Electronic Kit 2
24	Rock Kit 3
25	Electronic Kit 3
26	Analog Kit 4

Rhythm List

Num	Name	Num	Name
11	8 Beat	45	Jazz Swing
12	8 Beat Ballad	46	Blues 1
13	8 Beat Pop	47	Blues 2
14	8 Beat Rock	51	Fusion 1
15	Rock 1	52	Fusion 2
16	Rock 2	53	Bounce
17	Hard Rock	54	Reggae 1
21	Heavy Metal 1	55	Reggae 2
22	Heavy Metal 2	56	Bossa Nova
23	16 Beat	57	Samba
24	16 Beat Ballad	61	Latin Rock
25	16 Beat Pop	62	Cha Cha
26	16 Beat Funk	63	Mambo
27	Funk	64	Rhumba
31	Funk Pop	65	Country
32	Blues Funk	66	Country Rock
33	Dance Pop	67	March
34	Disco	71	Polka
35	House	72	Waltz 1
36	Hip Hop	73	Waltz 2
37	Rap	74	SFX 1
41	Shuffle	75	SFX 2
42	Slow Rock	76	SFX 3
43	Soul	77	SFX 4
44	Cool Jazz		

Demo List

Demo Name
Funk Live

100
95
75
25
5
0



100
95
75
25
5
0